



Royal Industrial Suppliers

Quality Fasteners Specialist

No. 4, M.G.S. Complex, Benki Nawab Street, S.P. Road Cross, Bangalore 560002

An ISO 9001:2015 Certified Co



8310165941 / 9008782885



sales@royalfastenersindia.com



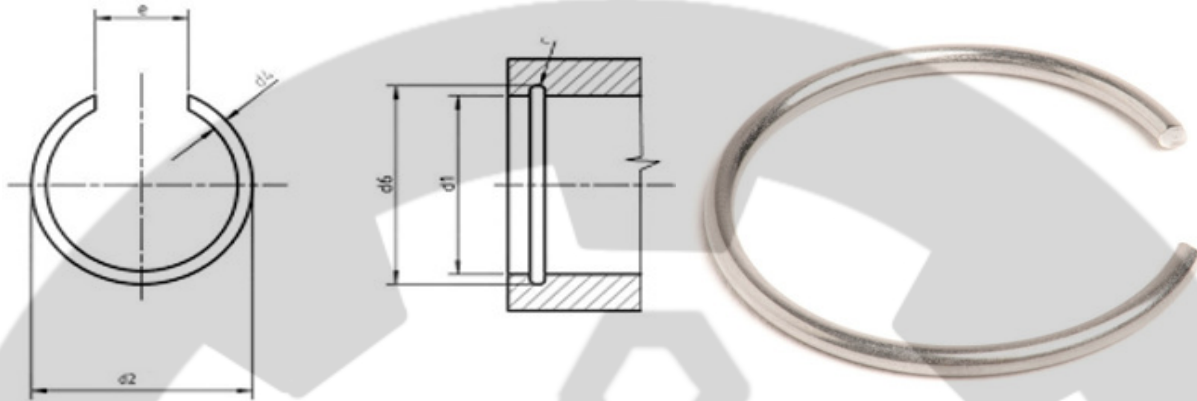
www.royalfastenersindia.com

INTERNAL SNAP RING

DIN 9926

CATALOGUE NUMBER: **R1G60I**

AISI 301



Send your Orders / Enquiries along with the following Item Codes

All Dimensions are in MM

Shaft Dia	PART NO.	Inner Dia d2		Thickness d4 (Nom)	Gap e	Groove Dia	
		Max	Min			d6	Tol
7	R1G60I07000	8.00	7.70	0.80	4.00	7.80	±0.05
8	R1G60I08000	9.00	8.70	0.80	4.00	8.80	
10	R1G60I10000	11.20	10.90	0.80	4.00	10.80	
12	R1G60I12000	13.60	13.20	1.00	6.00	13.00	
14	R1G60I14000	15.60	15.20	1.00	6.00	15.00	
16	R1G60I16000	18.20	17.80	1.60	8.00	17.60	
18	R1G60I18000	20.20	19.80	1.60	8.00	19.60	
20	R1G60I20000	22.80	22.30	2.00	10.00	22.00	±0.10
22	R1G60I22000	24.80	24.30	2.00	10.00	24.00	
24	R1G60I24000	26.80	26.30	2.00	10.00	26.00	
25	R1G60I25000	27.80	27.30	2.00	10.00	27.00	
26	R1G60I26000	28.80	28.30	2.00	10.00	28.00	
28	R1G60I28000	30.80	30.30	2.00	10.00	30.00	
30	R1G60I30000	32.80	32.30	2.00	10.00	32.00	
32	R1G60I32000	35.50	34.90	2.50	12.00	34.50	
35	R1G60I35000	38.50	37.90	2.50	12.00	37.50	
38	R1G60I38000	41.50	40.90	2.50	12.00	40.50	
40	R1G60I40000	43.50	42.90	2.50	12.00	42.50	
42	R1G60I42000	45.80	45.00	2.50	16.00	44.50	
45	R1G60I45000	48.80	48.00	2.50	16.00	47.50	
48	R1G60I48000	51.80	51.00	2.50	16.00	50.50	
50	R1G60I50000	53.80	53.00	2.50	16.00	52.50	
55	R1G60I55000	59.70	58.90	3.20	20.00	58.20	±0.15
60	R1G60I60000	64.70	63.90	3.20	20.00	63.20	